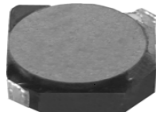


PRH3D14AHP



FEATURES 特点

- * Excellent solderability and high heat resistance
良好的可焊性和高耐热性

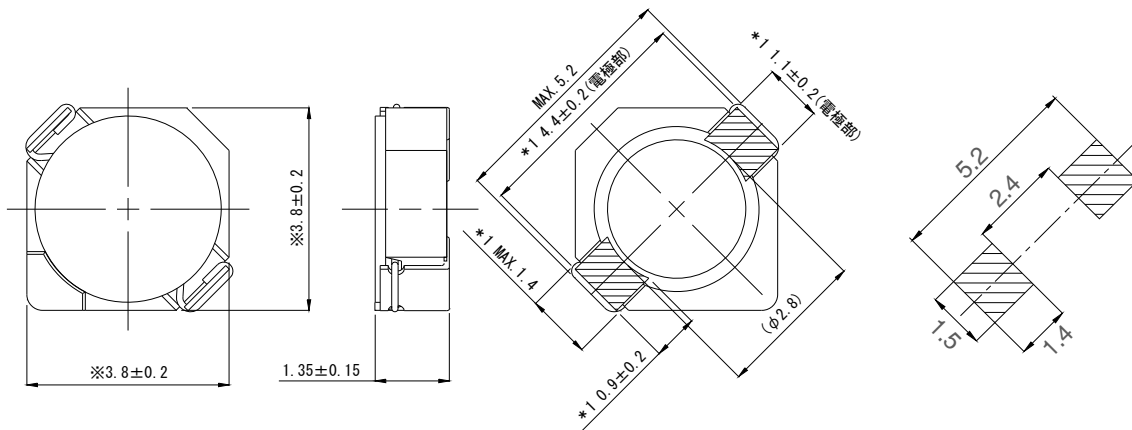
APPLICATION 用途

- * DC / DC 转换器

MEASURING FREQUENCY 测试频率

- * 100KHz 0.3V

Shapes And Dimensions 外形及尺寸示意图



Electrical Characteristics 电气性能

Type 型號	Indicate 表示	Inductance 電感值	D.C.R(Max) 直流電阻 (毫欧)	Rated Current(Max) 額定電流 (A)
PRH3D1 4AHP-1R5	1R5	$1.5\mu\text{H} \pm 30\%$	76(61)	2.60
PRH3D1 4AHP-2R4	2R4	$2.4\mu\text{H} \pm 30\%$	129(103)	2.00
PRH3D1 4AHP-3R2	3R2	$3.2\mu\text{H} \pm 30\%$	139(111)	1.80
PRH3D1 4AHP-4R7	4R7	$4.7\mu\text{H} \pm 30\%$	214(171)	1.45
PRH3D1 4AHP-6R8	6R8	$6.8\mu\text{H} \pm 30\%$	290(232)	1.20
PRH3D1 4AHP-100	100	$10\mu\text{H} \pm 30\%$	440(352))	1.00
PRH3D1 4AHP-150	150	$15\mu\text{H} \pm 30\%$	650(521))	0.80
PRH3D1 4AHP-220	220	$22\mu\text{H} \pm 30\%$	830(666))	0.65

* SPQ:3000PCS/REEL

The sample parameters are based on actual measured values